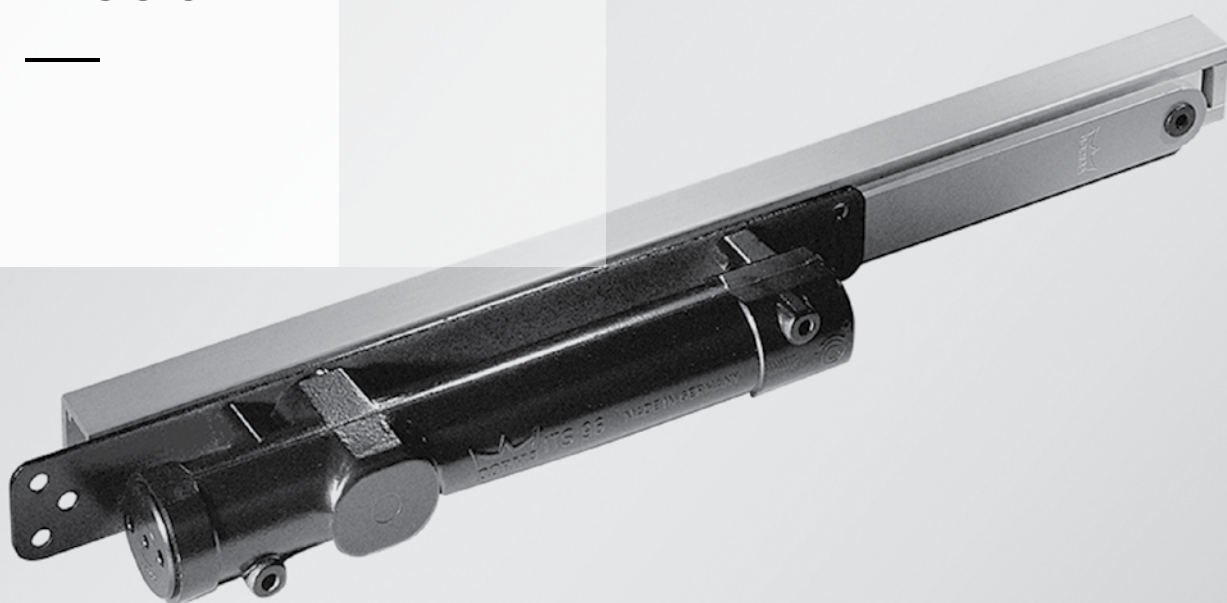


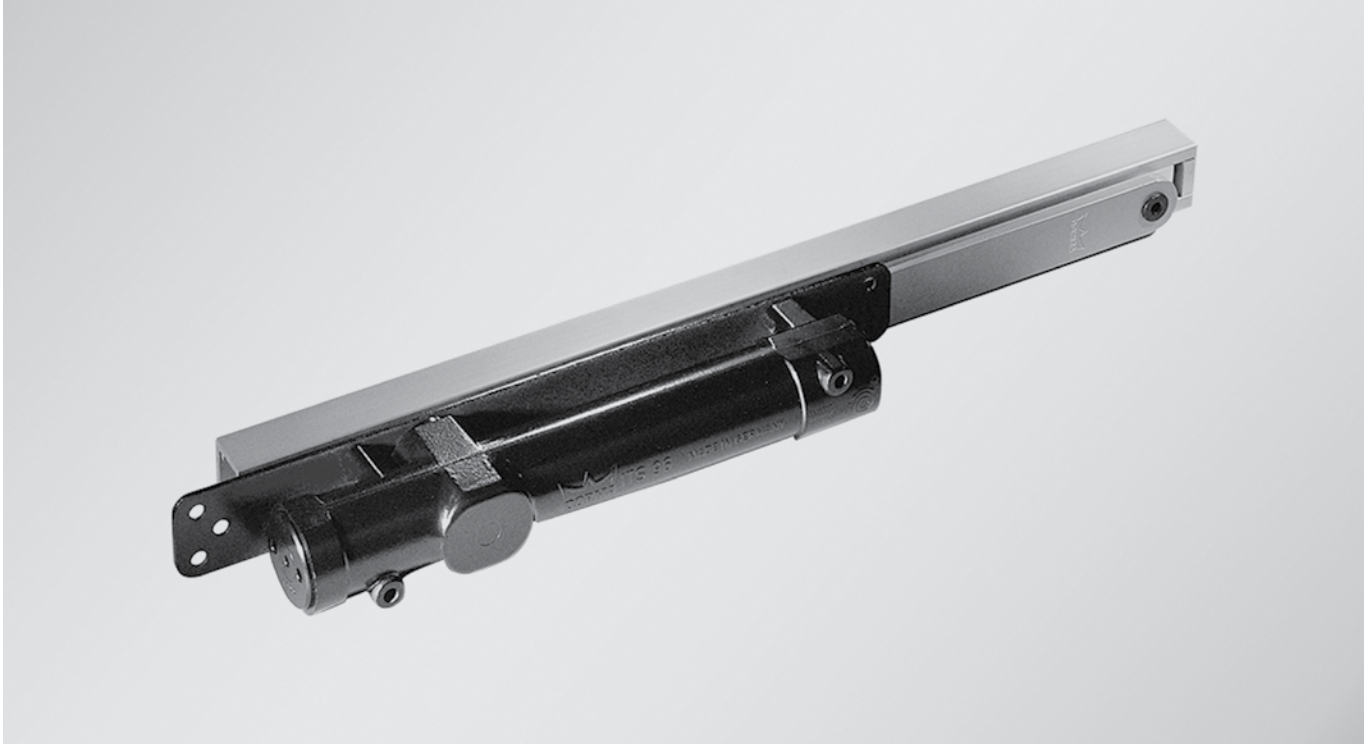
ITS96

—



Concealed in Door Closer

ITS96 SERIES CONCEALED CLOSERS




CONTENTS

	Technical Details and Specifications	3
	How to Order	4
Technical Drawings	ITS96 Wood Door and Frame	5
	ITS96 Metal Door and Frame	5
	ITS96 Wood Door and Frame x 08082820	6
	Accessory Track Brackets	
	ITS96 Metal Door and Frame x 08082810	6
	Accessory Track Brackets	

The optimum solution for applications requiring concealed door controls.

The unique cam and roller technology meets the challenge of providing the operation and features necessary in a compact design. The ITS96 is suited for virtually any door and frame combination in a variety of leaf thicknesses and configurations.

Technical Details

- Efficient cam and roller design.
- Rapid decrease in opening force makes doors easy to open, yet provides maximum closing force at the latch.
- Non-handed.
- ITS9613 installs in 1-3/4" thick doors (min); ITS9625 installs in 2" thick doors (min).
- All ITS96 models can be inverted to install the closer body in the frame.
- Suitable for interior wood, hollow metal, and aluminum doors and frames.
- ITS9613—Interior doors up to 36" wide NOT to exceed 125 lb.
- ITS9625—Interior doors up to 48" wide NOT to exceed 175 lb. Exterior doors up to 36" wide NOT to exceed 125 lb.
- Invisible when door is closed.
- Adjustable spring force size for ITS9613 is 1–3 and for ITS9625 is 2–5. Adjustable with unit installed.
-  Opening force 5 lb or less for ITS9613 on interior doors where door without closer attached is 1 lb opening force or less.
- Sweep and latch valve adjustment easily accessible after installation.
- Optional hold open adjustable between 80° and 120°.
- Maximum door opening approximately 130°.
- Cushioned stop position adjustable between 80°–130° (separate limiting stop required for doors in abusive conditions).
- Inverted application available. Consult factory for details.

- Accessory track brackets available for ease of installation or for frames lacking adequate reinforcement.

Certification

- UL and CL listed.
- Meets UL10C for positive pressure.
- California State Fire Marshall (CSFM) approved.
- Meets ANSI/BHMA A117.1 and ADA for barrier-free accessibility.



Listings by Others

Eggers Industries—UL10B and UL10C listed.
Wood door × ITS9613 20 minute type fire tested without hose stream. All must include 5" tectonite top rail.

Specification

All closers shall be ITS96 Series concealed in the door cam and roller closers. The closers will have aluminum alloy bodies with high compression steel springs and steel cams and rollers for doors opening up to 130° maximum. The closers will have two noncritical thermostatic valves to separately control sweep and latch speeds and provide constant closing speeds even under extreme temperatures. The closers will have field adjustable spring power from size 1–3 to meet barrier-free requirements or 2–5 for exterior or larger doors. Must be capable of spring adjustment when installed in the door. Install the ITS96 closer body in the door with the track in the frame. Closers to have cushioned stop adjustable from 80°–130°.

Optional Specifications

All ITS96 closers to have adjustable hold open from approximately 80°–120°. All closers to have accessory track brackets for frame conditions that do not permit standard mounting or when reinforcement is not an option.

REDUCED OPENING FORCE INSTALLATIONS CAUTION

Manual door closers, including closers certified to conform to ANSI/BHMA Standard A156.4, when installed and adjusted to conform to ADA or other reduced opening force requirements, may not provide sufficient power to reliably close and latch a door. Refer to Low Energy Operators to meet reduced opening force requirements without affecting closing power.

Finishes

Standard Sprayed Finishes (Track & Arm)

- Aluminum: 689.

Optional Special Color Sprayed Finishes

- Bronze: 691 (Dull), 690 (Statuary), or 695 (Dark Duranodic).
- Gold: 696.
- Black: 693.

Optional DORMA Custom Color or Designer Color Finishes

Contact Customer Service.

Optional Plated Finishes (main arm plated; track sprayed with complementing finish)

- Brass: 605 (Bright) or 606 (Satin).
- Bronze: 611 (Bright), 612 (Satin), or 613 (Oxidized Satin Oil Rubbed).
- Nickel: 618 (Bright) or 619 (Satin).
- Chrome: 625 (Bright) or 626 (Satin).

DORMA USA quality and environmental management systems in Reamstown, PA and Steeleville, IL are certified to ISO 9001:2008 and ISO 14001:2004.



HOW TO ORDER ITS SERIES

Application

Inverted (closer in frame) — **INV**

Standard —

ITS96

Series

Size 1-3 — **13**

Size 2-5 — **25**

Spring Size

Mounting Kit Options

Steel Frame Mounting Kit — **BRKTMD**

Wood Frame Mount Kit — **BRKTWD**

NHO

HO — Hold Open

NHO — Non-Hold Open

Hold Open

Painted

PNT — Special Sprayed Finish (must specify)

696 — Gold

695 — Dark Duranodic Bronze

693 — Black

691 — Dull Bronze

690 — Statuary Bronze

689 — Aluminum

600 — Primed

605 — Bright Brass

606 — Satin Brass

611 — Bright Bronze

612 — Satin Bronze

613 — Oxidized Satin Oil Rubbed Bronze

618 — Bright Nickel

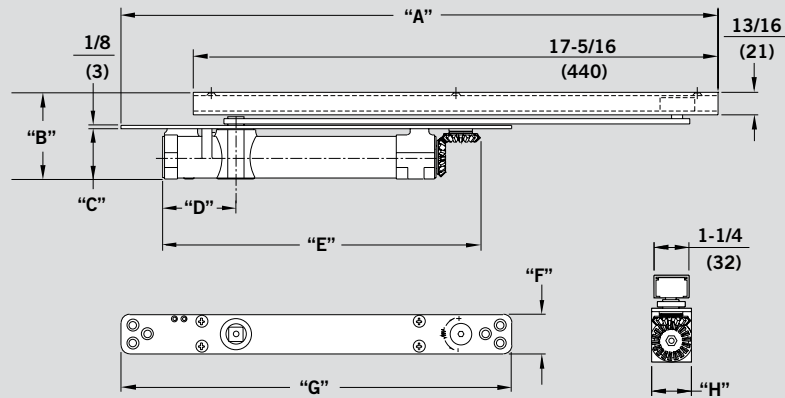
619 — Satin Nickel

625 — Bright Chrome

626 — Satin Chrome

Plated

NOTE: All combinations of features and options are not available for all models.



Size Selection Chart								
Closer	Dim "A"	Dim "B"	Dim "C"	Dim "D"	Dim "E"	Dim "F"	Dim "G"	Dim "H"
ITS9613	20-1/2" (521)	3-5/32" (80)	1-11/16" (43)	2-3/4" (70)	10-7/8" (276)	1-1/4" (32)	13-5/16" (338)	1-1/4" (32)
ITS9625	20-5/8" (524)	3-17/32" (90)	2" (51)	2-7/8" (73)	11-17/32" (293)	1-9/16" (40)	13-15/16" (354)	1-9/16" (40)

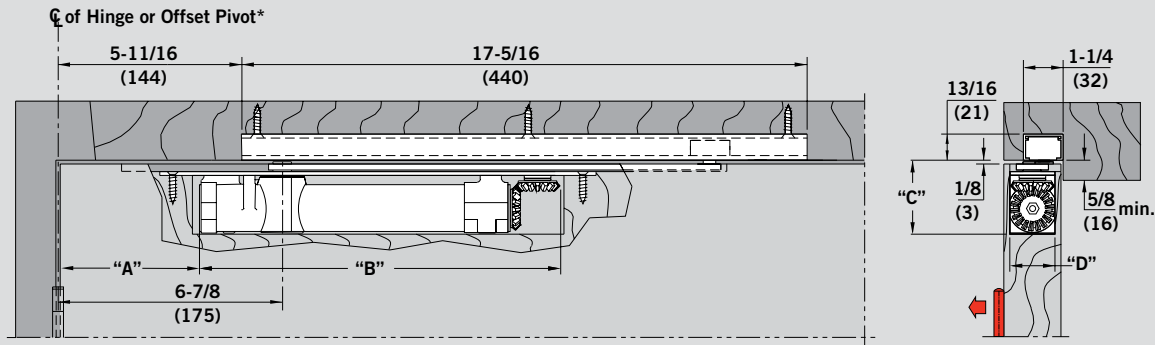
Technical Drawing Symbols & Notes

- – Recommended application
- N/A – Not applicable/application no recommended
- ♿ – Opening force 5 lb or less (9613 only) on interior doors 3'-0" wide.

NOTE: These technical drawings are not intended to be used to prepare the door and/or frame. Use installation templates for that purpose.

Although DORMA ITS96 Series closers have adjustable spring power to compensate for site conditions, it cannot be guaranteed that adequate closing force will be obtained while complying with barrier-free opening force restrictions.

ITS96 WOOD DOOR & FRAME



Size Selection Chart

Closer	Interior/ Exterior	Door Width				
		2'-0" min.	2'-6" max.	3'-0" max.	3'-6" max.	4'-0" max.
ITS9613	Interior	•	•	♿	N/A	N/A
ITS9625	Interior	N/A	•	•	•	•
	Exterior	N/A	•	•	•	N/A

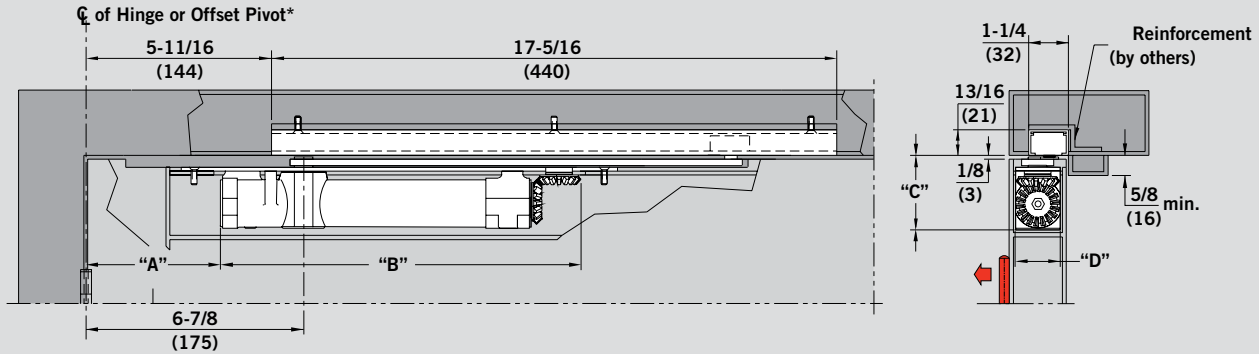
*Offset top pivots may conflict with closer and track. Substitute the top pivot with an intermediate pivot.

Closer	Dim "A"	Dim "B"	Dim "C"	Dim "D"
ITS9613	4-1/8" (105)	11" (279)	2-5/16" (59)	1-3/8" (35)
ITS9625	4" (102)	11-17/32" (293)	2-9/16" (68)	1-5/8" (41)

Maximum Opening	Hold Open Range (Optional)
130°	80°-120°

NOTE: ITS9613 closers are not recommended for doors over 3'-0" wide and 125 lb.

ITS96 METAL DOOR & FRAME



Size Selection Chart

Closer	Interior/ Exterior	Door Width				
		2'-0" min.	2'-6" max.	3'-0" max.	3'-6" max.	4'-0" max.
ITS9613	Interior	•	•	•	N/A	N/A
ITS9625	Interior	N/A	•	•	•	•
	Exterior	N/A	•	•	•	N/A

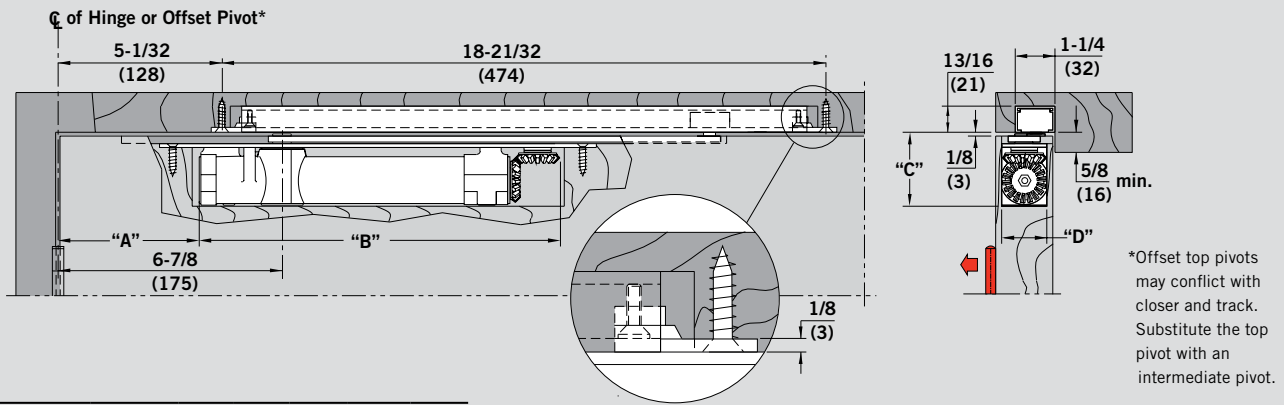
*Offset top pivots may conflict with closer and track.
Substitute the top pivot with an intermediate pivot.

Closer	Dim "A"	Dim "B"	Dim "C"	Dim "D"
ITS9613	4-1/8" (105)	11" (279)	2-5/16" (59)	1-3/8" (35)
ITS9625	4" (102)	11-17/32" (293)	2-9/16" (68)	1-5/8" (41)

Maximum Opening	Hold Open Range (Optional)
130°	80°-120°

NOTE: ITS9613 closers are not recommended for doors over 3'-0" wide and 125 lb.

ITS96 WOOD DOOR & FRAME × 08082820 ACCESSORY TRACK BRACKETS

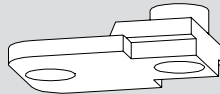


Size Selection Chart

Closer	Interior/ Exterior	Door Width				
		2'-0" min.	2'-6" max.	3'-0" max.	3'-6" max.	4'-0" max.
ITS9613	Interior	•	•	•	N/A	N/A
ITS9625	Interior	N/A	•	•	•	•
	Exterior	N/A	•	•	•	N/A

08082820 Track Brackets

Track mounting brackets for wood frames. Used when frame conditions prohibit standard mounting of track (two per unit).



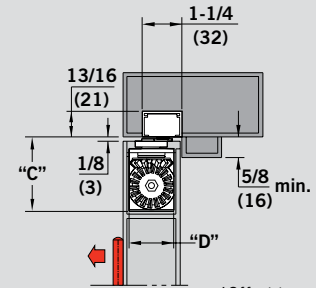
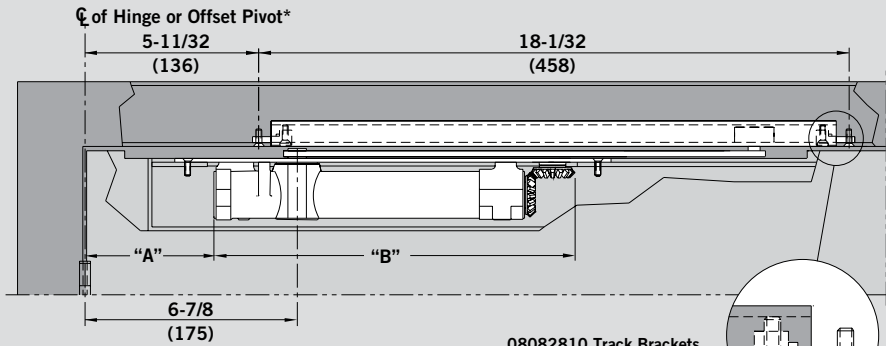
Closer	Dim "A"	Dim "B"	Dim "C"	Dim "D"
ITS9613	4-1/8" (105)	11" (279)	2-5/16" (59)	1-3/8" (35)
ITS9625	4" (102)	11-17/32" (293)	2-9/16" (68)	1-5/8" (41)

*Offset top pivots may conflict with closer and track.
Substitute the top pivot with an intermediate pivot.

Maximum Opening	Hold Open Range (Optional)
130°	80°-120°

NOTE: ITS9613 closers are not recommended for doors over 3'-0" wide and 125 lb.

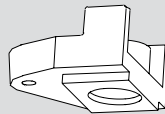
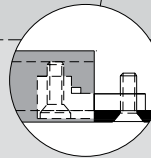
ITS96 METAL DOOR & FRAME × 08082810 ACCESSORY TRACK BRACKETS



*Offset top pivots may conflict with closer and track. Substitute the top pivot with an intermediate pivot.

08082810 Track Brackets

Track mounting brackets for ease of installation or for frames lacking adequate reinforcement (two per unit).



Size Selection Chart

Closer	Interior/ Exterior	Door Width				
		2'-0" min.	2'-6" max.	3'-0" max.	3'-6" max.	4'-0" max.
ITS9613	Interior	•	•	•	N/A	N/A
ITS9625	Interior	N/A	•	•	•	•
	Exterior	N/A	•	•	•	N/A

NOTE: ITS9613 closers are not recommended for doors over 3'-0" wide and 125 lb.

Closer	Dim "A"	Dim "B"	Dim "C"	Dim "D"
ITS9613	4-1/8" (105)	11" (279)	2-5/16* (59)	1-3/8" (35)
ITS9625	4" (102)	11-17/32" (293)	2-9/16* (68)	1-5/8" (41)

Maximum Opening	Hold Open Range (Optional)
130°	80°-120°



www.dorma.com



DORMA USA, Inc.
Dorma Drive, Drawer AC
Reamstown, PA 17567
Tel: 800 523 8483
Fax: 800 274 9724
archdw@dorma-usa.com

DORMA Canada
1680 Courtney Park Drive, Unit 13
Mississauga, Ontario L5T 1R4
Tel: 800 387 4938
Fax: 905 670 5850
www.dormacanada.com

DORMA Mexico
Calle Sur 110 no. 63, Col. Tolteca
01150 México, D.F.
Tel: 5255 5272 6937
Fax: 5255 5272 6948
operacion@dorma.com.mx